

FORGED IN AUSTRALIA'S TOUGHEST TERRAINS

The OKA Gen-5 all-terrain vehicle is an open platform engineered for extreme off-road terrain and austere operating environments across mining, defence, emergency response and expedition applications.

OKA delivers proven all-terrain capability built on four decades of Australian engineering. The Gen-5 features OKA's proprietary heavy-duty torsionally rigid chassis, integrated safety systems and mission-ready modular architecture, supporting a wide range of configurations across an extended service life.

Designed for operators who prioritise durability, uptime, high payload capacity, remote reliability and low total cost of ownership. As the only Australian-designed all-terrain vehicle platform and automotive marque, the Gen-5 represents the evolution of 40 years of Australian engineering in the world's harshest conditions.

FEATURE HIGHLIGHTS

- ▶ High payload capacity up to 5,000 kg
- ▶ Exceptional off-road performance with OKA multi-stage suspension
- ▶ 330 mm of ground clearance
- ▶ Engineered to Australian ROPS safety standards
- ▶ High-strength welded ladder frame chassis
- ▶ Modular cab design with seating from 2 - 14 passengers
- ▶ 6.7L Cummins turbo-diesel drivetrain
- ▶ Automatic transmission
- ▶ All-terrain 41.5 inch military spec tyres
- ▶ Braked trailer towing up to 4,500 kg





OKA Gen-5 Specifications

STANDARD EQUIPMENT

- ROPS-compliant 4-door steel cab (AS1636-1984)
- Cummins 6.7L turbo-diesel
- Low range transfer case
- Air-hydraulic brakes with vented discs
- Power steering with damper
- Automatic transmission
- 285/70R 19.5-inch standard tyres
- Full instrumentation
- Flex multi-stage leaf suspension

OPTIONAL UPGRADES

- 335/80R 20 41.5-inch military spec tyres
- Bull bar, tow bar, 25,000 lb winch
- Front/rear differential locks
- Dropside or custom tray bodies
- 2,000 kms extended range fuel tanks
- Central tyre inflation system (CTIS)
- Light bars, spotlights, beacons
- NATO hitch and blackout lighting
- Heavy-duty fifth wheel coupling

SPECIFICATIONS

Physical Dimensions

- Length: 5,648 mm
- Width: 2,000 mm
- Height: 2,508 mm
- Wheelbase: 3,190 mm
- Ground Clearance: 330 mm

Weight & Capacity

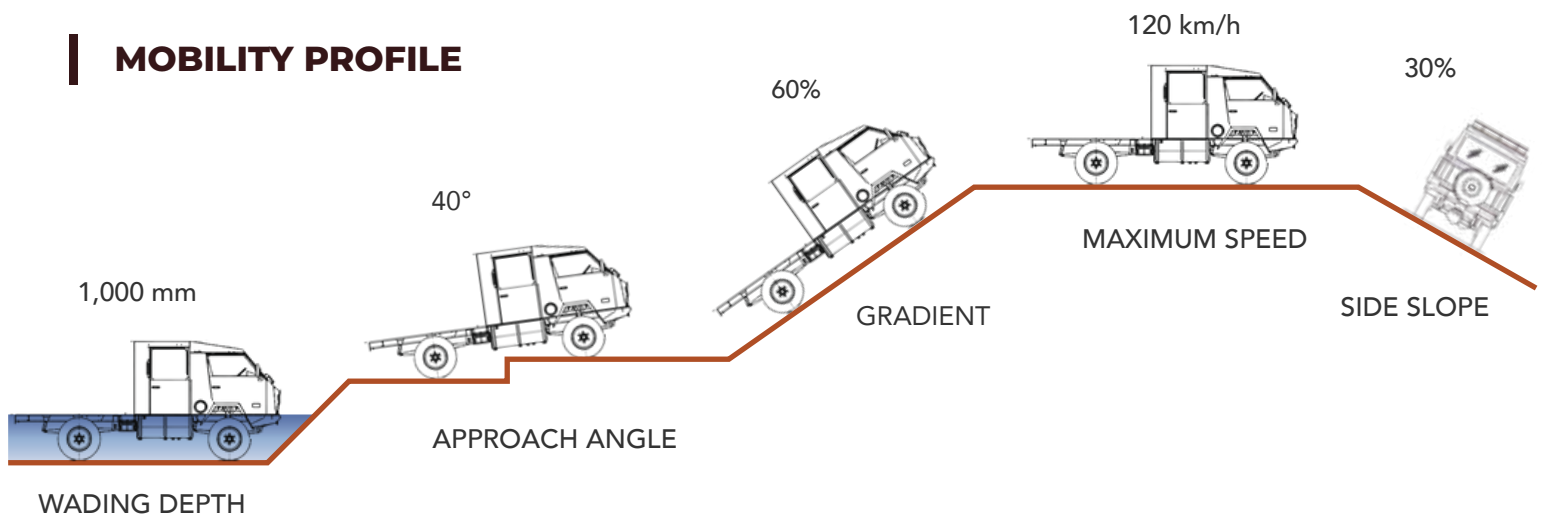
- GVM: Up to 9,000 kg *
- Payload: Up to 5,000 kg *
- GCM: Up to 13,500 kg *
- Towing (braked trailer): 4,500 kg
- Range: Up to 2000 km

Performance

- Engine Power: 222 kw / 285 hp
- Torque: 1,025 Nm
- Max Speed: 120 km/h
- Turning Circle: 14.5 m
- Max Gradient: 60%

*Actual GVM, payload and GCM vary by configuration and regulatory classification

MOBILITY PROFILE

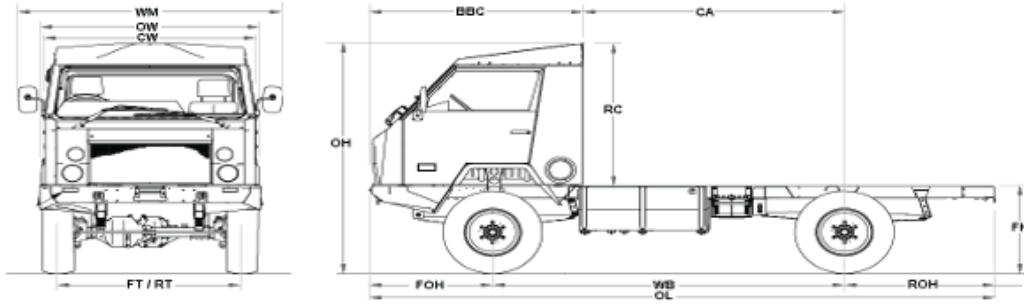


CONTACT INFORMATION

Address: Level 1/135 High St Fremantle, Western Australia 6160 | Contact: Oliver Barnes
Email: info@okaustralia.com | Phone: +61 (0) 8 6333 0430 | Web: www.okaustralia.com

OKA GEN-5 SINGLE CAB

2 PASSENGERS

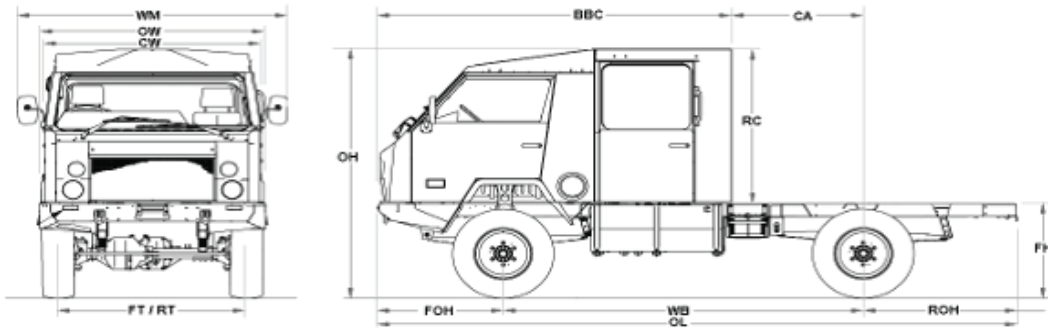


Dimensions mm

OL Overall Length	OH Overall Height	OW Overall Width	CW Cab Width	WM Width Mirrors	FT Front Track	RT Rear Track
5648	2508	2000	1900	2340	1664	1664
WB Wheelbase	FOH Front O'hang	ROH Rear O'hang	BBC Cab Length	CA Cab to R Axle	FH Frame Height	TL Tray Length
3190	1101	1357	1917	2374	950	3685

OKA GEN-5 DUAL CAB

6 PASSENGERS

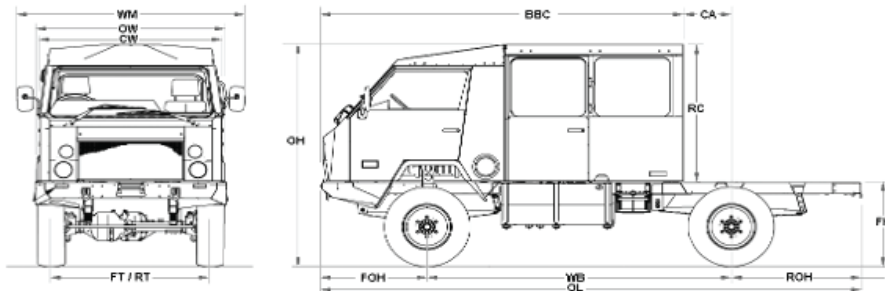


Dimensions mm

OL Overall Length	OH Overall Height	OW Overall Width	CW Cab Width	WM Width Mirrors	FT Front Track	RT Rear Track
5648	2508	2000	1900	2340	1664	1664
WB Wheelbase	FOH Front O'hang	ROH Rear O'hang	BBC Cab Length	CA Cab to R Axle	FH Frame Height	RC Rear of Cab
3190	1101	1357	3124	1167	950	1558

OKA GEN-5 MULTI CAB

9 PASSENGERS



Dimensions mm

OL Overall Length	OH Overall Height	OW Overall Width	CW Cab Width	WM Width Mirrors	FT Front Track	RT Rear Track
5648	2508	2000	1900	2340	1664	1664
WB Wheelbase	FOH Front O'hang	ROH Rear O'hang	BBC Cab Length	CA Cab to R Axle	FH Frame Height	RC Rear of Cab
3190	1101	1357	3800	491	950	1558